



## **Panel Spray Stand Assembly Instruction**



**Guangzhou ANONA Import & Export Co., Ltd**

Tel: 0086-20-87460378

Direct Line: 0086-13005123276

E-mail: [anona@anonaauto.com](mailto:anona@anonaauto.com)

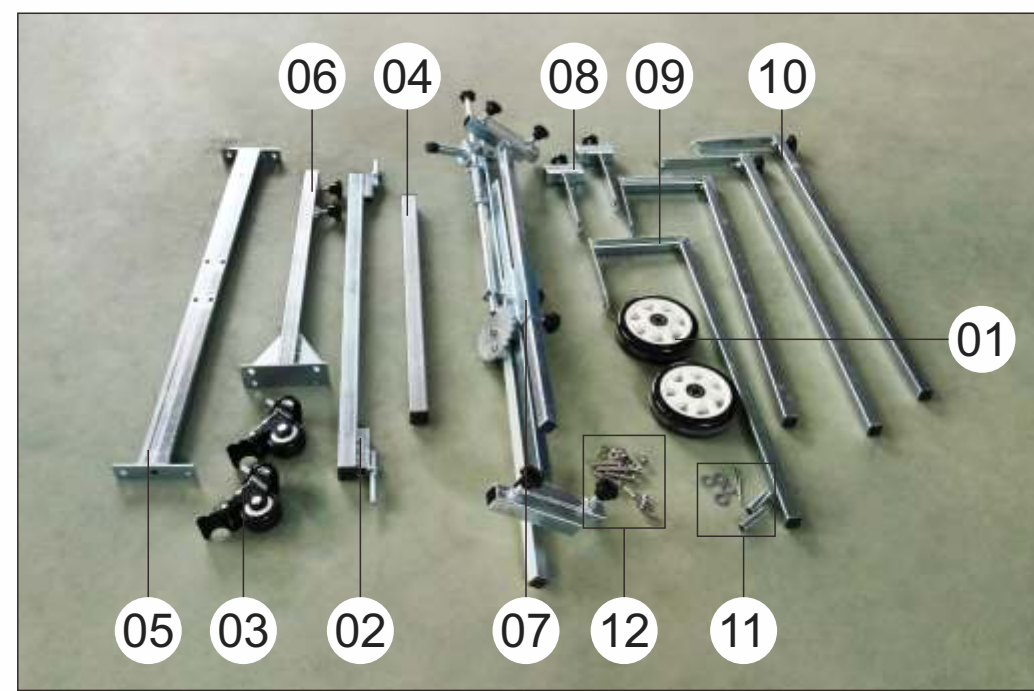
Website: [www.anonaauto.com](http://www.anonaauto.com)

**Model: PS-A**

Guangzhou ANONA Import & Export Co., Ltd



- 01. Fixed Wheel
- 02. Fixed Wheel Bar
- 03. Braked Wheel
- 04. Braked Wheel Bar
- 05. Beam
- 06. Vertical Pole
- 07. Up-Down Moving Bar Suite
- 08. Fixed Hook
- 09. Hook-Shape Left-Right Moving Bar
- 10. L-Shape Left-Right Moving Bar
- 11. Adjusting Bar
- 12. Adjusting Screw

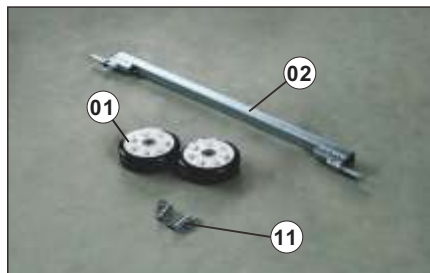


**Packing List**

Item No.	Part Name	Qty.	Item No.	Part Name	Qty.
01	Fixed Wheel	2 pcs	07	Up-Down Moving Bar Suite	1 pc
02	Fixed Wheel Bar	1 pc	08	Fixed Hook	2 pcs
03	Braked Wheel	2 pcs	09	Hook-Shape Left-Right Moving Bar	2 pcs
04	Braked Wheel Bar	1 pc	10	L-Shape Left-Right Moving Bar	2 pcs
05	Beam	1 pc	11	Fixed Wheel Assembly Parts	1 unit
06	Vertical Pole	1 pc	12	Nut & Bolt	4 units

## A Assemble Fixed Wheels and Fixed Wheel Bar

Before



After



## B Assemble Braked Wheels and Braked Wheel Bar

Before



After



## C Assemble Beam

Before



After



## D Assemble Vertical Pole

Before



After



## E Assemble Up-Down Moving Bar Suite

Before



After



## F Assemble Fixed Hook, Hook-Shape Left-Right Moving Bar, L-Shape Left-Right Moving Bar

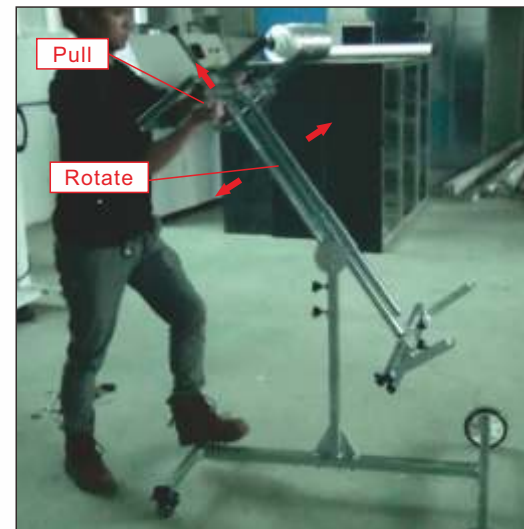
Before



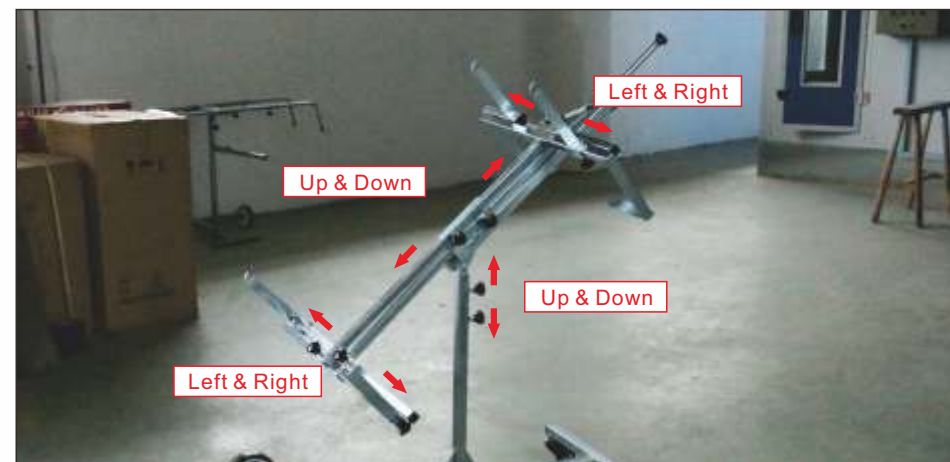
After



## G Operation



pull the small handle to get a proper position in the plate and then fix it



turn the black knob to get a proper distance and then fix it