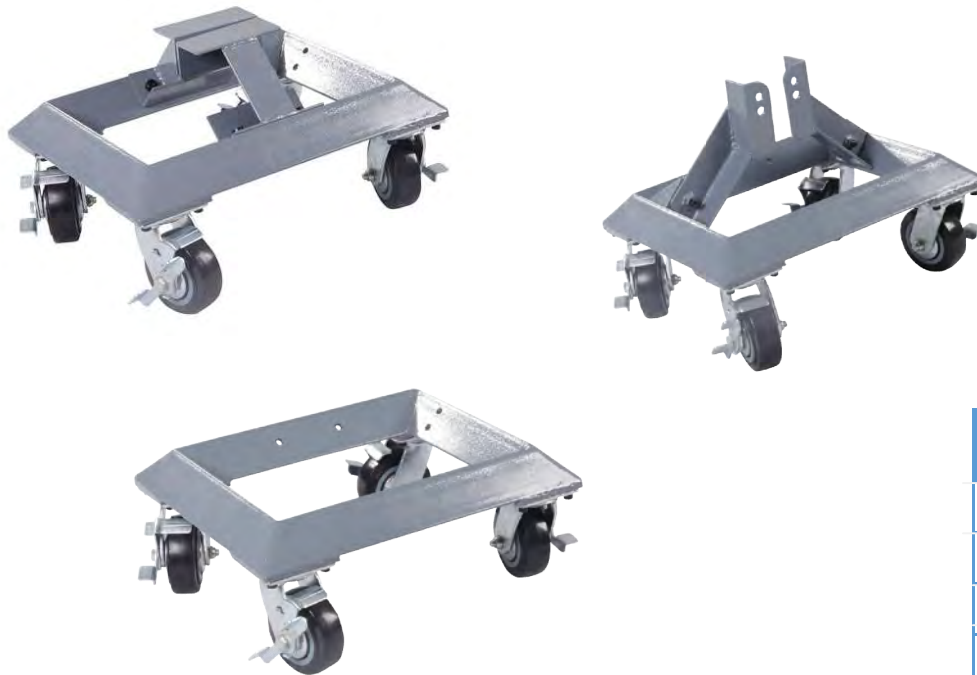


Car Moving Dollies

Part Code: MD-A



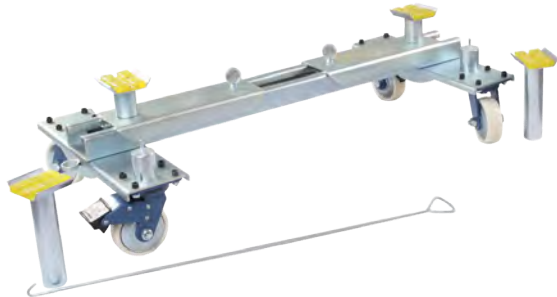
- ✓ Material and Processing: 8mm OR 6mm thick angle steel welded.
- ✓ Four universal braked wheels with heavy duty capacity help the dolly to move easily.
- ✓ It is with 2 different joint sets for three kinds of car holding.
- ✓ It carries wheel on along with hub as well as rocker configuration.

Part Code	MD-A1	MD-A2
Material	6mm Angle Steel	8mm Angle Steel
Wheel Size	5"	6"
Load Bearing	1.5T	2.5T
Dimension	550 x 420 x 220/330/480 mm (L x W x H)	



Three Ways of Car Fixing

Part Code: MD-B



- ❖ Material and Processing: Galvanized Steel processed with laser cutting and then bent.
- ❖ Four universal braked wheels with heavy duty capacity help the dolly to move easily.
- ❖ Right and left ends can be easily extended for adapting various sizes and shapes of car.
- ❖ It is with 3 different joint sets for various working requirements.

Part Code	MD-B1	MD-B2
Material	6mm Angle Steel	8mm Angle Steel
Wheel Size	6"	8"
Load Bearing	2T	3.4T
Dimension	1350 x 620 x 380/350/550 mm (L x W x H)	

