

Paint Mixing Table

- Material: 1.2mm thick Stainless Steel;
- with drawers and sliding door;
- It is designed for paints storing and mixing;
- Dimension is 1100 x 500 x 800mm (L x W xH)



Part Code: PMT-A

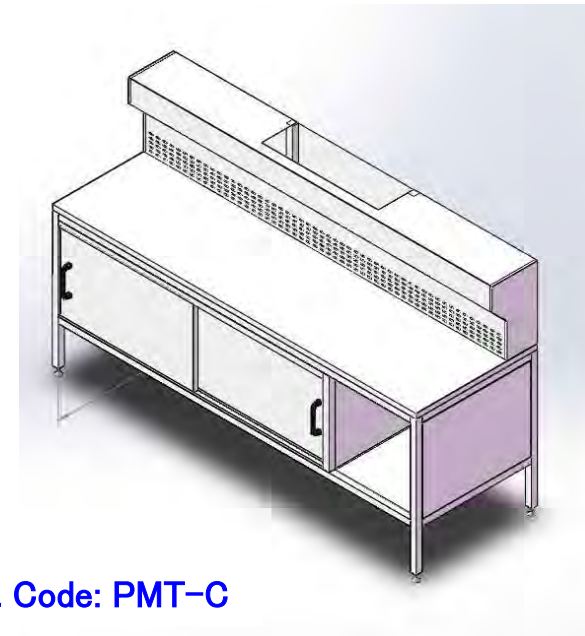
- Material: 1.2mm thick Stainless Steel;
- Lighting is equipped for better paint mixing environment;
- with drawer and doors;
- It is designed for paints storing and mixing;
- Dimension is 1520 x 660 x 1350mm (L x W xH).
- Exhaust fan is optional.



Part Code: PMT-B



Keyboard Tray



Part Code: PMT-C

Custom size is available.

- Bench Size: 2400 x 800 x 970 mm (LxWxH) Overall size: 2400 x 800 x 1450 mm (LxWxH)
- Supporter – 40 x 40 mm square tube made by 304# Stainless Steel; bottom is with adjustable bolt.
- Bench Body – 1.5mm thick plate made by 304# Stainless Steel; welded and polished.
- The whole set is divided into three parts for shipment; easy assemble and move.
- One set low-noise axial fan is equipped; power is 0.75KW. Air capacity is 4000m³/h.
- Storage cabinet is equipped with sliding cabinet doors.