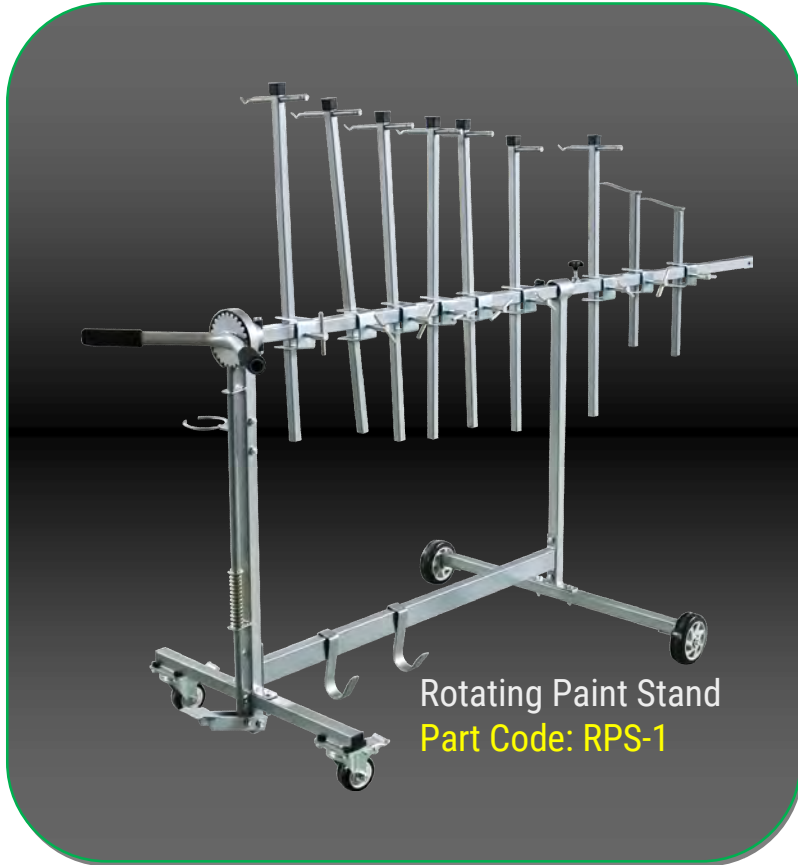


Paint Stands



Rotating Paint Stand
Part Code: RPS-1

- ✧ It's rotating axis, spring lever and foot pedal have shaped in effective angles to assist painters to paint efficiently.
- ✧ There are 7 vertical bars equipped with hooks as well as 2 extended bars which have connected with hook to hold larger auto parts.
- ✧ 2 fixed wheels and 2 braked wheels
- ✧ help to move upon cables, gratings and air hoses.
- ✧ The spray gun holder in addition with bottom hooks brings more ease for painters.
- ✧ Package size is 120 x 30.5 x 16cm (L x W x H).
- ✧ Gross weight is 30kg.





- It's rotating axis, spring lever and foot pedal have shaped in effective angles to assist painters to paint efficiently.
- There are 4 vertical bars equipped with hooks to hold auto parts
- 2 fixed wheels and 2 braked wheels help to move upon cables, gratings and air holes.
- The spray gun holder in addition with bottom hooks brings more ease for painters.
- Package size is 120 x 30.5 x 16cm (L x W x H)
- Gross weight is 24kg.

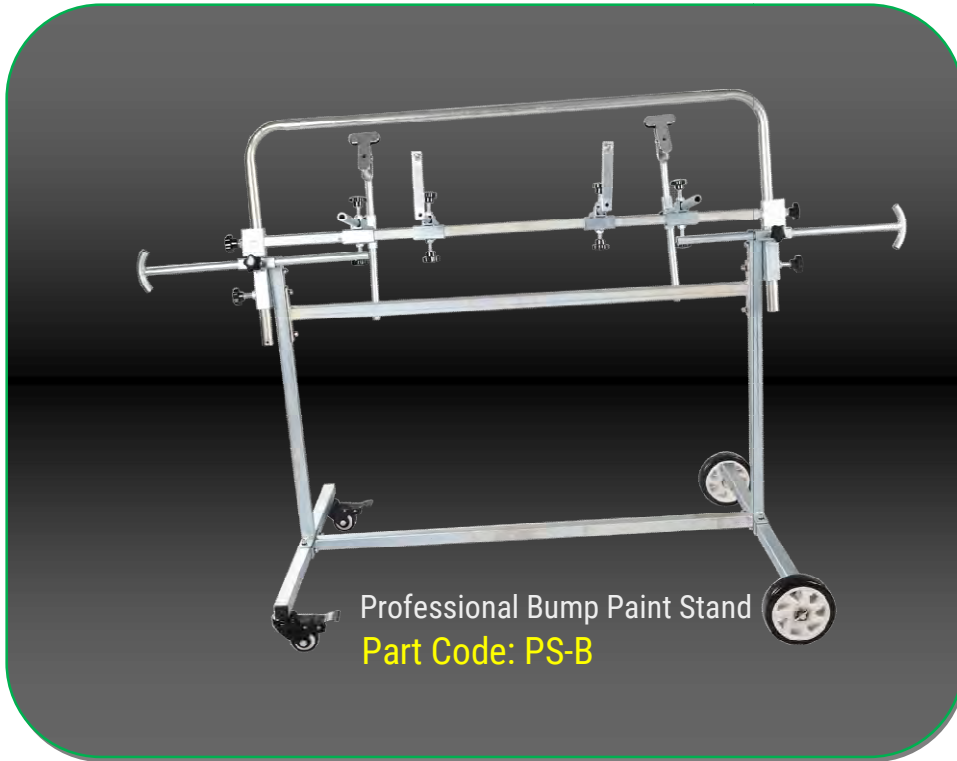


- ✓ It has designed to operate for fender painting, car hood and door.
- ✓ There are 4 wheels helps to move upon gratings, cables, and air hoses.
- ✓ The surface has completely galvanized.
- ✓ Package size is 1360x370x160mm (LxWxH).
- ✓ Gross weight is 24.85kg.



All Purpose Paint Stand
Part Code: PS-A





- ✧ It operates for all types of car bumper.
- ✧ 2 fixed wheels and 2 braked wheels are equipped for easy walking.
- ✧ 2pcs hook-shape rods on top are used to grasp mounting holes of bumper; 2pcs clips below are designed to clamp bumper forcefully; 2pcs semicircle arms are equipped to hold bumper in case of any deformation.
- ✧ All hooks, clips and arms can be adjusted according to working requirements.
- ✧ The angle of the stand is also adjustable.



- ◆ 2 high-quality wheels and 1 bar are equipped for flexible movement and easy stand.
- ◆ Stand surface are completely galvanized.
- ◆ Stand height and width can be adjusted according to working requirement.
- ◆ Package size is 850x450x230mm (LxWxH).
- ◆ Gross weight is 32.5kg.
- ◆ 2 pieces PS-C stands are packed in one carton.



Bumper Polishing Stand

Part Code: PS-C





- It is designed especially for bumper painting as well as sanding.
- The locking late in junction can fix the stand in a proper height.
- Package size is 1300x640x120mm (LxWxH).
- Gross weight is 9.5 kg.

