

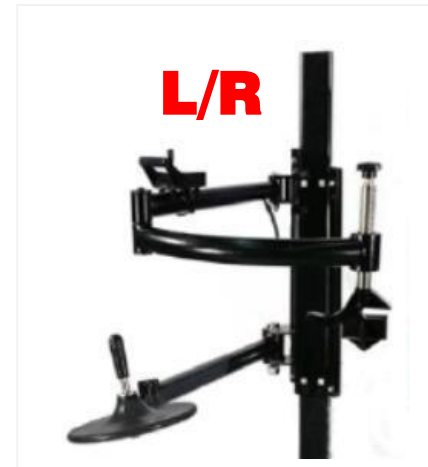
Tire Changer Machines



Blue and Red Color are Available



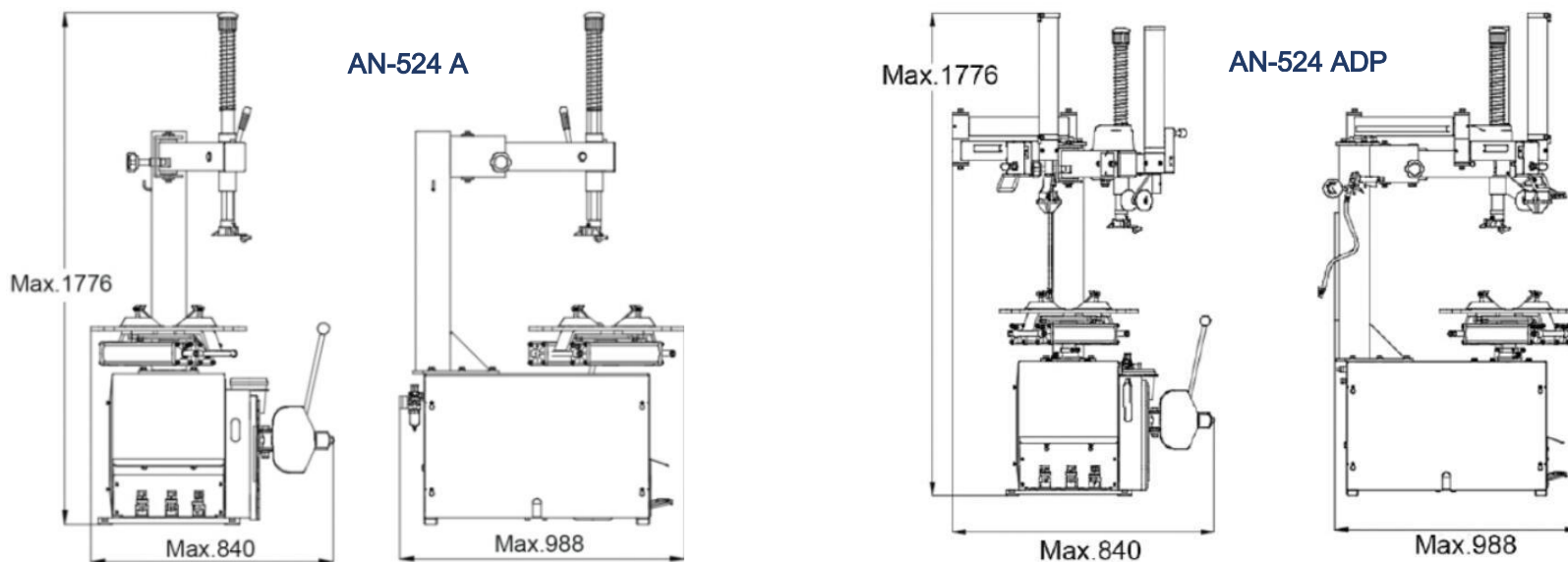
Options



Model No.	Details	EXW Price(US\$)
AN-524 A	Standard	US\$ 598
	Options	
	D	+ US\$ 120
	P	+ US\$ 120
	L or R	+ US\$ 238
	T	+ US\$ 99

If choose the **Option P** and **Option D** on basis of AN-524 A, the model no. would be **AN-524 ADP**, PRICE is US\$ 598+120+120 = **US\$ 838**





Technical Data

Motor Power	1.1 KW
Voltage	110-440 V
	Price might be different.
Outer Clamp(min – max)	10' – 22'
Internal (min – max)	12' –24'
Maximum Wheel Diameter	42'
Maximum Wheel Width	13'
Air Supply	8-10 Bar
Bead Breaking force	2500 KG
Dimension	980 x 770 x 1150 mm

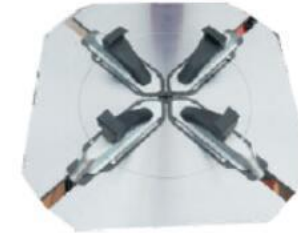
Features

- A. Economic and utility, suitable for all kinds of small tyres.
- B. Double structure cabinets.
- C. Top assist arm with the compact design, quick and efficiency.
- D. 2500 KG bead breaker cylinder.
- E. Tilt back column design.
- F. Alloy steel amount/ demount head.
- G. Pneumatic horizontal and vertical arm locking system.
- H. Adjustable bead breaker shovel.
- I. Portable or tubeless tyre inflation system are optional
- J. Aluminum alloy foot pedal --- stable and easy to maintenance
- K. Five years structure warranty and 1 year power unit warranty.

AN-526 A



AN-526 ATR



26" adjustable turntable



3000 KG cylinder
with aluminum surface.



Alloy steel gear box
with large size



6S industrial copper core
aluminum motor

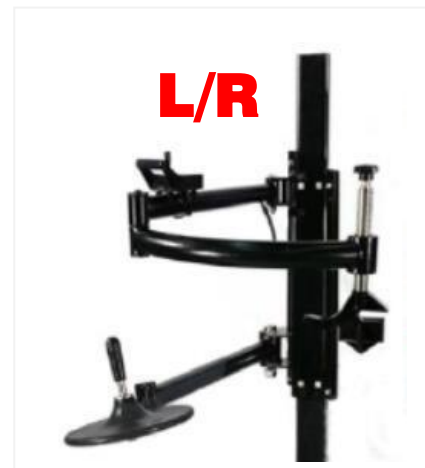


Metal air hose with longer life



Cooper Aluminum alloy
rapid escape valve

Options

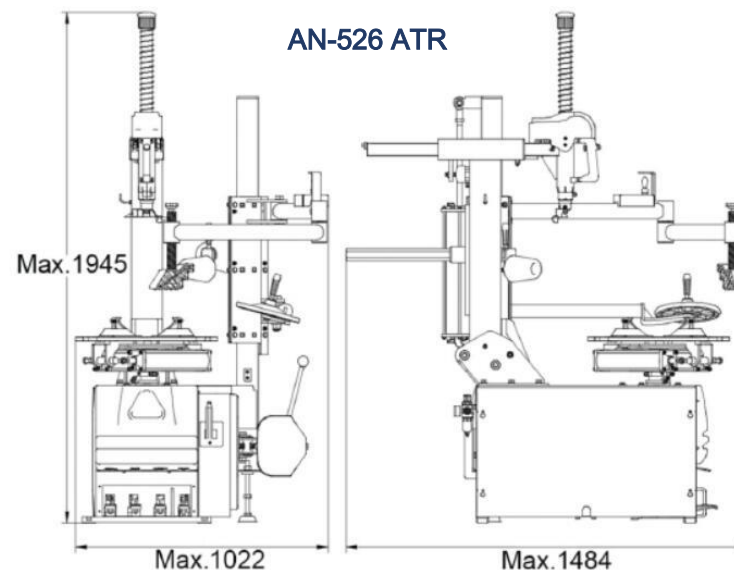
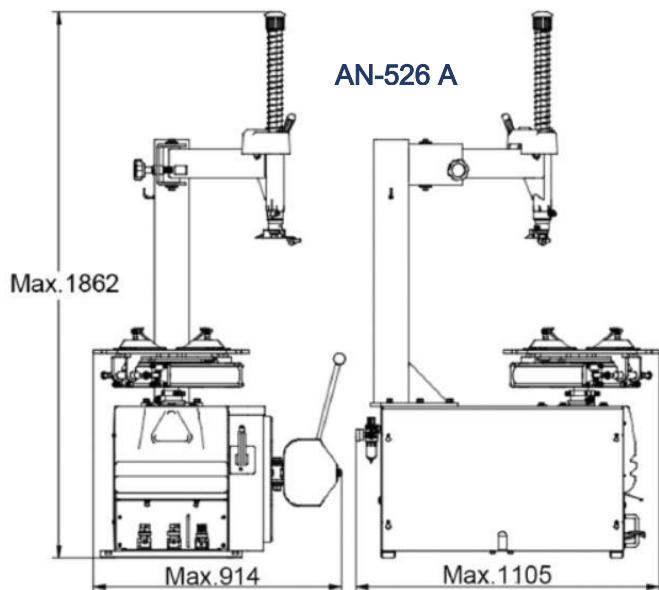


Model No.	Details	EXW Price(US\$)
AN-526 A	Standard	US\$ 698
	Options	
	D	+ US\$ 120
	P	+ US\$ 120
	L or R	+ US\$ 238
	T	+ US\$ 99

If choose the **Option T** and **Option R** on basis of AN-524 A, the model no. would be **AN-524 ATR**, PRICE is US\$ 698+99+238 = **US\$ 1035**

AN-526 AT





Technical Data

Motor Power	1.1 KW
Voltage	110-440 V Price might be different.
Outer Clamp(min – max)	12' – 24'
Internal (min – max)	14' – 26'
Maximum Wheel Diameter	47'
Maximum Wheel Width	14'
Air Supply	8-10 Bar
Bead Breaking force	3000 KG
Dimension	1150 x 900 x 1025 mm

Features

- A. 3000 KG bead breaker cylinder.
- B. Tilt back column design.
- C. Pneumatic controlled movement of mounting head towards to rim.
- D. New designed right assist arm suitable for low profile tyres and run-flat tyres.
- E. Pneumatic horizontal and vertical arm locking system.
- F. Adjustable bead breaker shovel.
- G. Portable or tubeless tyre inflation system are optional
- H. Aluminum alloy foot pedal --- stable and easy to maintenance
- I. Five years structure warranty and 1 year power unit warranty.

AN-526 BTR



AN-530 CTR



Automatic Head

Without Turntable

Suitable for the largest tyre 30"

Model No.	Details	EXW Price(US\$)
AN-526 BTR	Standard	US\$ 1,288
AN-530 CTR	Standard	US\$ 1,388

- A. 3000 KG bead breaker cylinder.
- B. Tilt back column design.
- C. "Lever-less" design system for AN-526BTR
- D. Without turntable for AN-530CTR
- E. Pneumatic controlled movement of mounting head towards the rim.
- F. Pneumatic horizontal and vertical arm locking system.
- G. New designed right assist arm suitable for low profile tyres and run-flat tyres.
- H. Adjustable bead breaker shovel.
- I. Automatic alloy steel head assembly.

Motor Power	1.1 KW
Voltage	110-440 V
	Price might be different.
Diameter	14' -30'
Maximum Wheel Diameter	51'
Maximum Wheel Width	16'
Air Supply	8-10 Bar
Bead Breaking force	3000 KG
Dimension	1150 x 900 x 1090 mm 1510 x 500 x 400 mm

